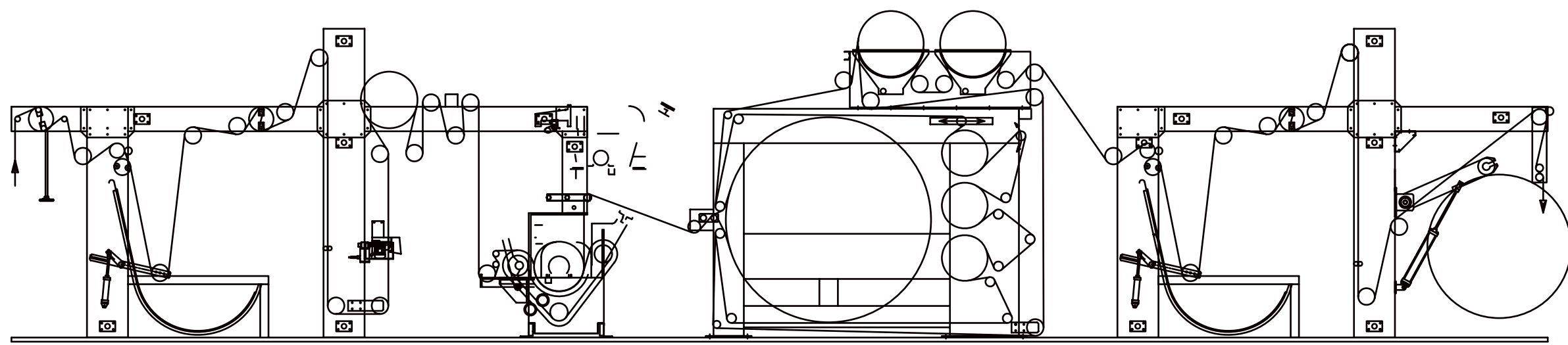
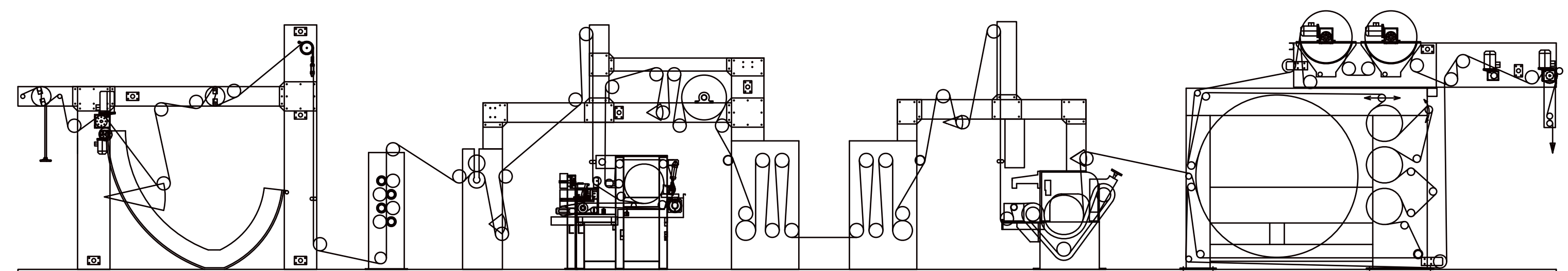


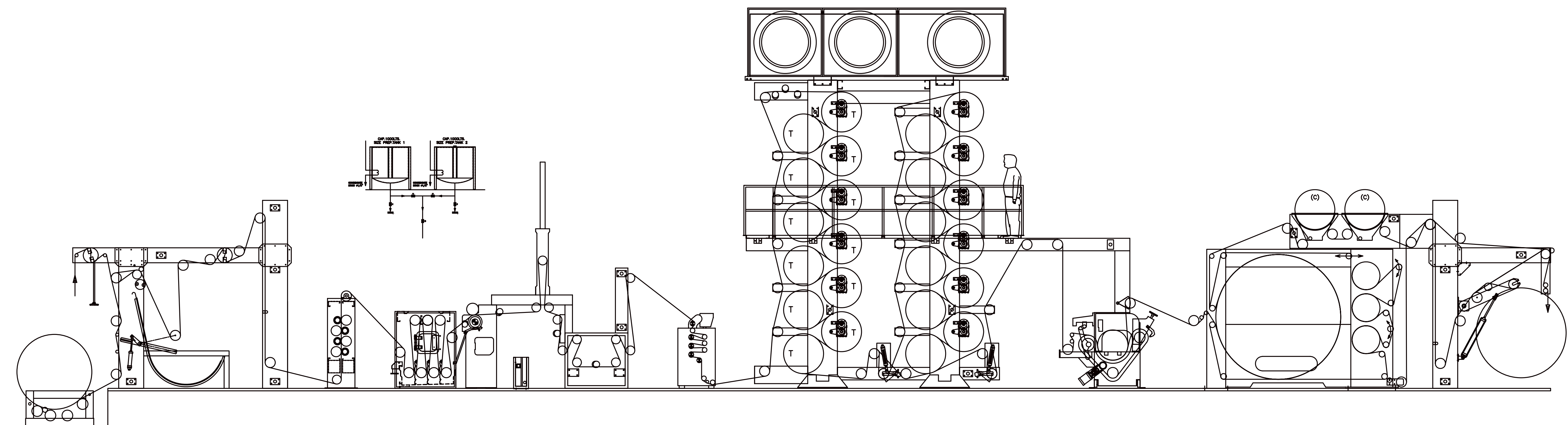
COMPRESSIVE SHRINKING RANGE



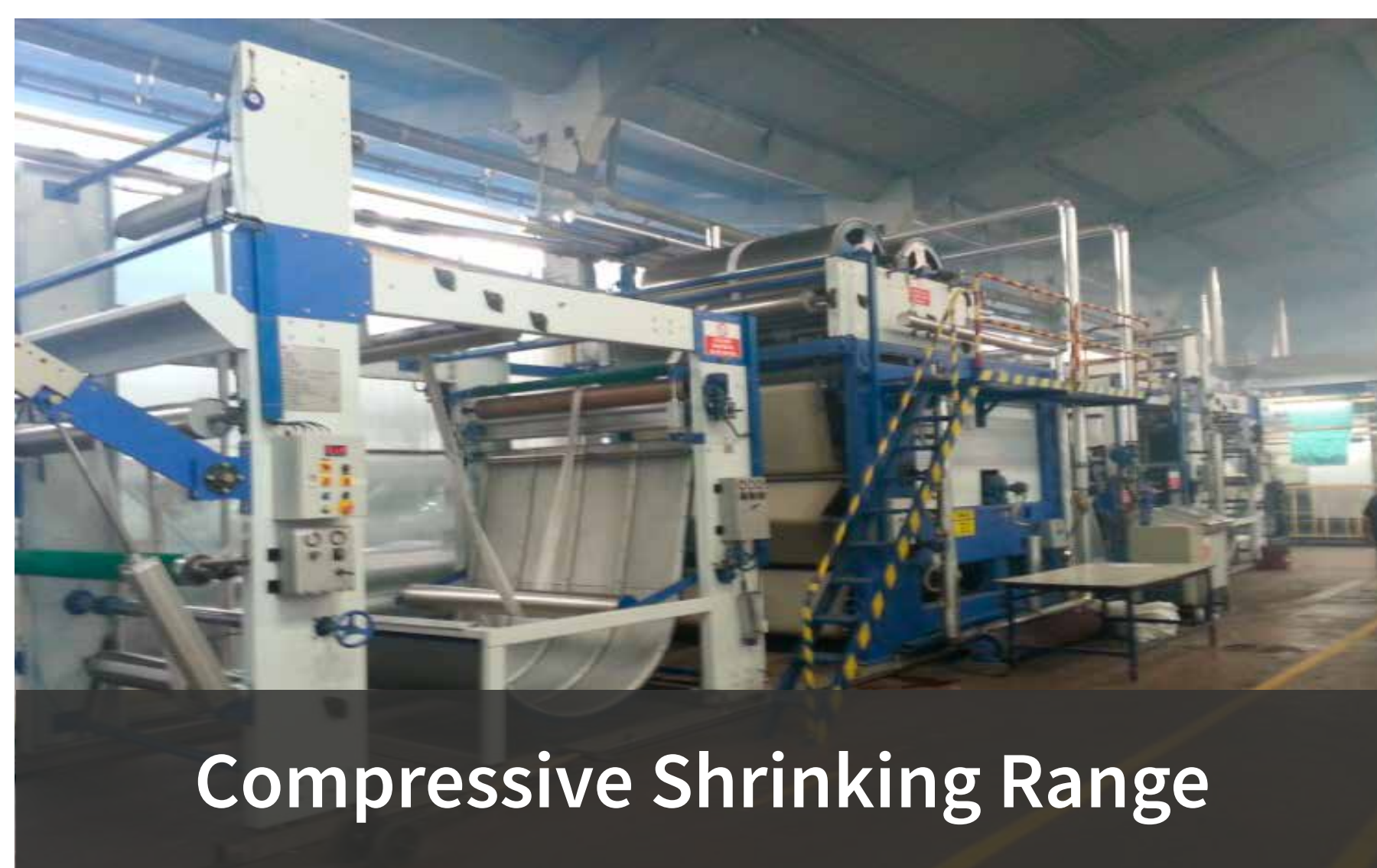
1: Compressive Shrinking range



2: Vacuum Foam Finishing Range for denim fabrics



3: Wet Finishing Range for denim fabrics



Compressive Shrinking Range



Felt Calendar Unit



Cooling Drum and Outlet Configuration



Rubber Belt Unit



Wet Finishing Range



Vacuum Foam Finishing Range

Over 2,000 satisfied customers across 30 countries, including:

INDIA

Arvind Mills, Raymond, Bombay Dyeing, Trident, LNJ Denim, Pradip Overseas, Bombay Crimpers, Chur Synthetics, Chiripal Group, Aarvee Denim, Oswal Denim.

INTERNATIONAL

Luckytex - Toray Group (Japan), Jaspal & Sons (Thailand), Kilim Tekstil, Belenay Tekstil, Arta Tekstil (Turkey), Bradmill Outdoors (Australia), CIA Universal (Peru), Sunflag Group (Nigeria), Noman Group, Pakiza Group, Rahim Textiles, Argon Denim (Bangladesh)