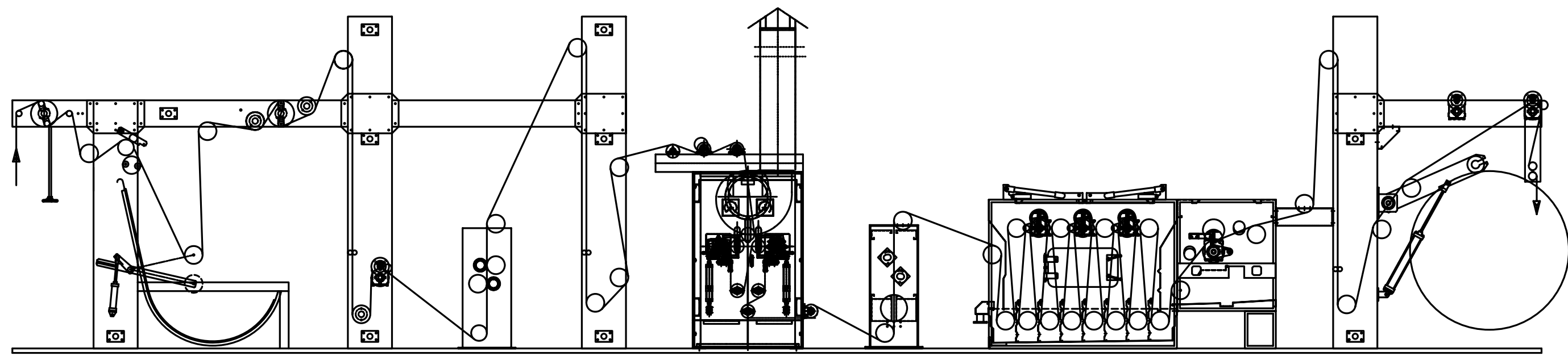
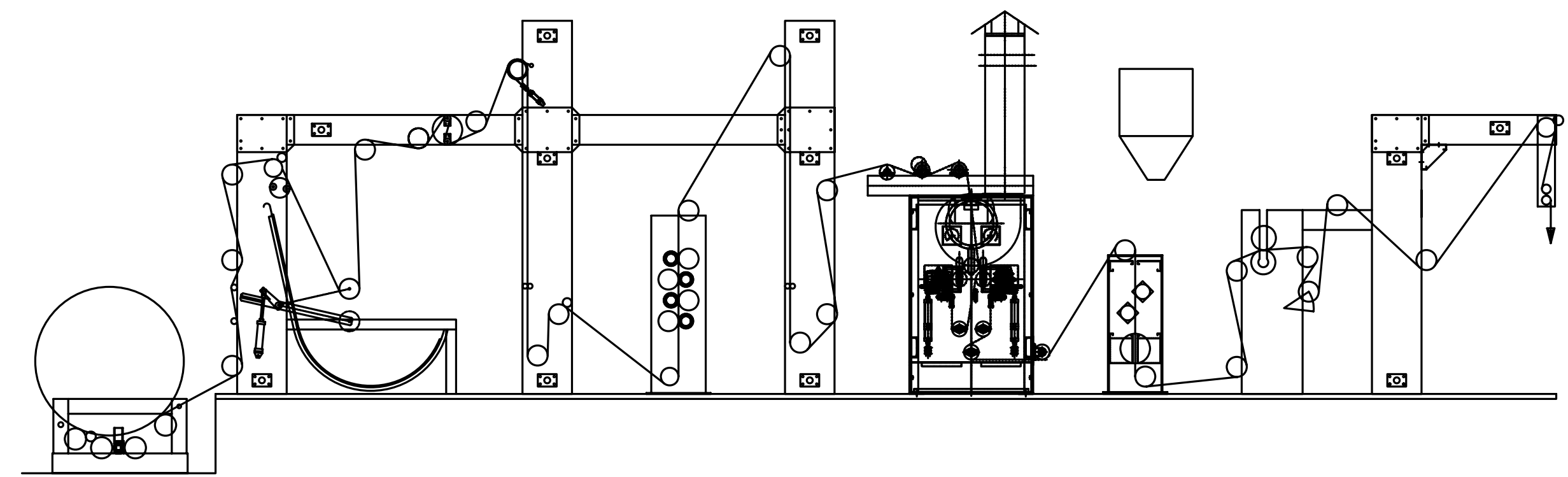


**SINGEING RANGE (BASED ON OSTHOFF DESIGN)**



1: Singeing and Desizing Range



2: Singeing Range for denim fabrics



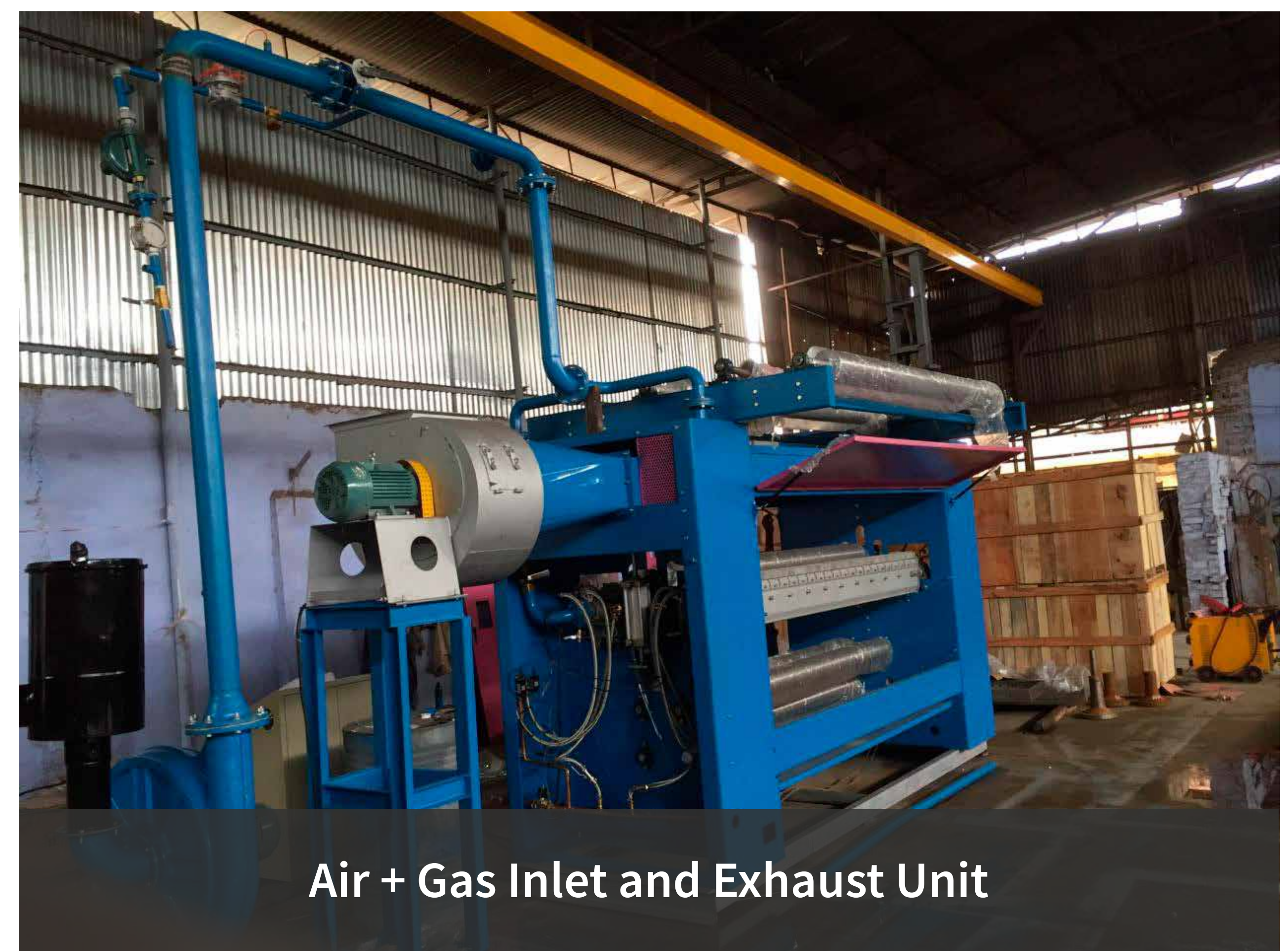
Singeing Range



Singeing Unit (based on Osthoff design)



Blue Singeing Flame



Air + Gas Inlet and Exhaust Unit

Over 2,000 satisfied customers across 30 countries, including:

**INDIA**

Arvind Mills, Raymond, Bombay Dyeing, Trident, LNJ Denim, Pradip Overseas, Bombay Crimpers, Chur Synthetics, Chiripal Group, Aarvee Denim, Oswal Denim.

**INTERNATIONAL**

Luckytex - Toray Group (Japan), Jaspal & Sons (Thailand), Kilim Tekstil, Belenay Tekstil, Arta Tekstil (Turkey), Bradmill Outdoors (Australia), CIA Universal (Peru), Sunflag Group (Nigeria), Noman Group, Pakiza Group, Rahim Textiles, Argon Denim (Bangladesh)

